



# G I T

DOORS & WINDOWS IN ALUMINIUM

SINCE 1968

THE EURO LINE



# THE EURO LINE

Streamlined, modern, refined style.

Our European-inspired collection delivers the right benefits and technical components for our climate.

Made of 100% Québec aluminum at our Montréal plant, the Euro line enables doors and windows in exceptionally large dimensions with no compromise on quality.

## Features

- STH for “super thermal”
- Sturdy aluminum frames and sashes equipped with a rolled thermal barrier
- Made from Québec aluminum and entirely manufactured in Montréal
- Double- or triple-glazed sealed units
- 4 or 6 mm glass
- Energy-efficient glass with Low-E, argon gas and a non-conductive, ultra-efficient spacer
- Secure, watertight multipoint locking system
- Aluminum handle with black or white stainless-steel finish
- Extremely long-lasting powder-coated finish
- Standard colours (interior and exterior): white, black, charcoal
- Optional interior colours different from exterior colour, at no additional charge if initial interior colour is white
- Multiple weatherstripping around the entire perimeter
- Water drainage system
- Vulcanized-rubber corners for perfect airtightness
- Superior-quality hardware
- Robust aluminum screen

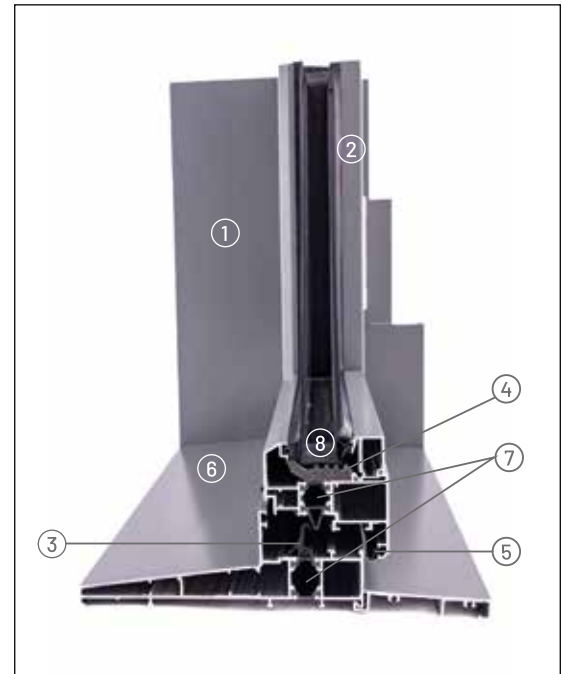
## Available options

- Tempered safety glass
- Soundproof laminated glass
- Endless choice of colours
- Integrated decorative panes
- ½ in. or ⅝ in. gypsum return moulding
- Interior finishing: decorative mouldings
- Stone sills
- Extruded-aluminum sills
- Lintels
- Enlargement of openings
- Addition of transoms and sidelites

## Available frame depths

- 3 ¼ in.
- 4 ⅛ in.
- 5 in.
- 6 ¼ in.
- 6 ⅞ in.
- 7 ¾ in.
- 8 ⅝ in.
- 9 ⅞ in.

## Tilt-turn window, cutaway view



1. Interior and exterior frame in 100% Québec aluminum  
Multiple optional frame depths for optimal installation and positioning of window in wall
2. Pre-drilled jambs for screwless appearance with clip-on finish moulding for a perfectly seamless look
3. Double row of weatherstripping for superior energy efficiency
4. Ultra-high-performance sealed-unit perimeter insulation
5. Automotive-technology neoprene weatherstripping
6. Angled exterior frame to prevent infiltration
7. Thermal barrier in high-performance rolled polyamide  
Exterior quality, UV-resistant for maximum durability
8. Thermal barrier and weatherstripping perfectly aligned



## Casement window

---

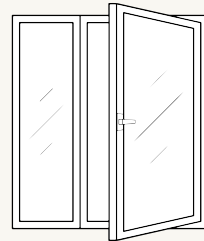
### Features

Window stopper

### Dimensions per panel

Minimum 19 ¼ in. x 23 ¾ in.

Maximum 39 ¼ in. x 94½ in.



## Tilt and turn window

---

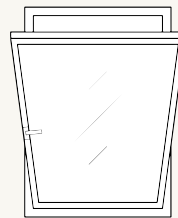
### Features

Window stopper

### Dimensions per panel

Minimum 19 ¼ in. x 23 ¾ po

Maximum 39 ¼ in. x 94½ po



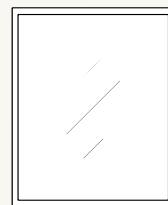
## Fixed window

---

### Dimensions per panel

Minimum 19 ¼ in. x 23 ¾ in.

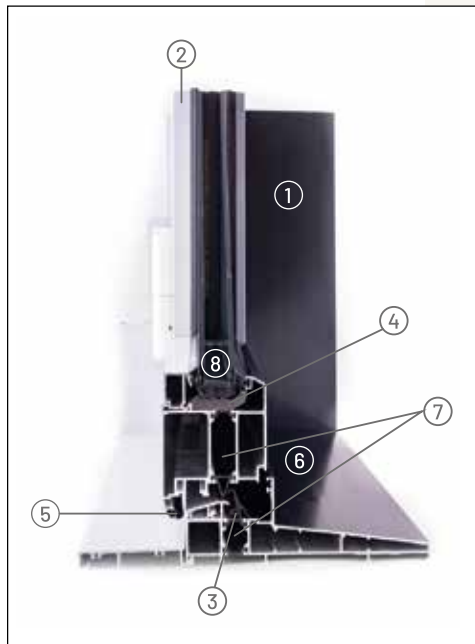
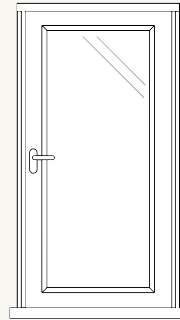
Maximum 60 in. x 120 in.





## Front door

**Dimensions per panel**  
Maximum 48 in. x 96 in.



1. Interior and exterior frame in 100% Québec aluminum

Multiple optional frame depths for optimum installation and positioning of window in wall

2. Pre-drilled jambs for screwless appearance with clip-on finish moulding for a perfectly seamless look

3. Double row of weatherstripping for superior energy efficiency

4. Ultra-high-performance sealed-unit perimeter insulation

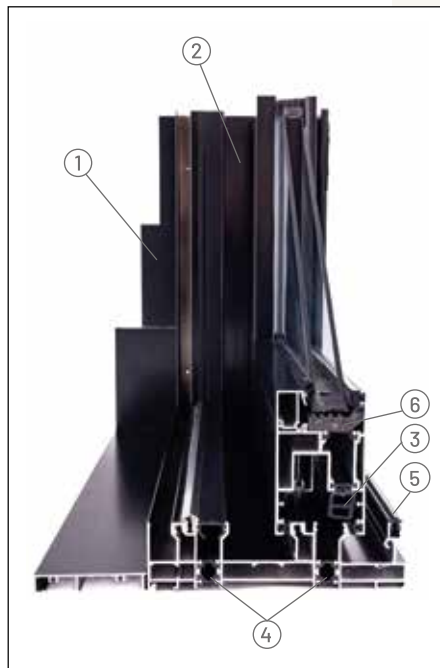
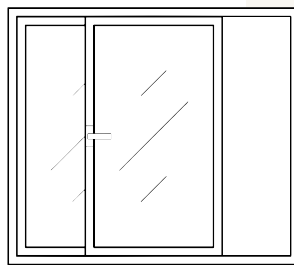
5. Automotive-technology neoprene weatherstripping

6. Angled exterior frame to prevent infiltration

7. Thermal barrier in high-performance rolled polyamide

Exterior quality, UV-resistant for maximum durability

8. Thermal barrier and weatherstripping perfectly aligned



## Patio door

### Features

- Two, three or four sections
- Multiple configurations with mobile or fixed panels
- Patented “lift-and-slide” system for easy manoeuvrability
- Secure, watertight multipoint locking system
- Key lock
- Threshold matched to door colour
- Stainless-steel-coated rails for added durability
- Screen rail integrated into the frame extrusion for improved seal
- Ultra-robust screen with lock
- Rugged polyamide interlock with weatherstripping
- Water drainage ports with valves

### Available options

- Extruded-aluminum threshold
- Lintel
- Various handle color options

### Available frame depths

- 6 7/8 in.
- 7 3/4 in.
- 8 5/8 in.
- 9 7/8 in.

### Dimensions

2 sections: 144 in. x 96 in.

4 sections: 252 in. x 96 in.

1. Interior and exterior frame in 100% Québec aluminum

Multiple optional frame depths for optimal installation and positioning of door in wall

2. Pre-drilled jambs for screwless installation with clip-on finish moulding for a perfectly seamless look

3. Flexible, durable neoprene weatherstripping

4. Double thermal barrier in high-performance rolled polyamide

Exterior quality, UV-resistant for maximum durability

5. Screen rail

6. Ultra-high-performance sealed-unit perimeter insulation



**G I T**

DOORS & WINDOWS IN ALUMINIUM

8645, Langelier Blvd, St-Léonard, QC H1P 2C6  
514 323-2954 info@git.ca  
www.git.ca

**f @ in**